

**Ceiling unit
Pureline 90 cm
Stainless steel**



EAN 5414425116539

Energy label

▪ Energy Efficiency class (EEIhood)	A+
▪ Annual Energy Consumption (kWh/year) (AEChood)	33,9
▪ Fluid Dynamic Efficiency class (FDEhood)	A
▪ Lighting Efficiency class (LEhood)	A
▪ Grease Filtering Efficiency class (GFEhood)	D

Functions & features

▪ Control method	Push buttons + Remote control
▪ Number of speeds	3 + power
▪ Automatic Power revert (minutes)	6
▪ Motor	Integrated & Remote
▪ Sound absorber	Integrated
▪ Recirculation	Optional
▪ InTouch function	Standard
▪ Auto stop	▪
▪ Delayed switch off (minutes)	10/30
▪ Number of grease filters	2
▪ Grease filter	6830020
▪ Grease filter cleaning indication	▪
▪ Recirculation filter cleaning indication	▪

Dimensions

▪ Product dimensions (WxDxH) (mm)	868 x 508 x 319
▪ Height incl. mounting clamps (without motorbox) (mm)	133
▪ Width flange (mm)	15
▪ Dimensions cut-out opening (WxD) (mm)	845 x 485
▪ Advised mounting height induction hobs (Hmin-Hmax) (mm)	600 - 1600
▪ Advised mounting height gas hobs (Hmin-Hmax) (mm)	650 - 1600
▪ Advised mounting height ceramic hobs (Hmin-Hmax) (mm)	600 - 1600
▪ Diameter outlet (mm)	150
▪ Position exhaust	Top, Right, Left, Front, Back

Lighting

▪ Functional lighting type	Led
▪ Dimmable light	▪
▪ Soft-ON/OFF	▪
▪ Total energy consumption functional light (W)	8
▪ Color functional light	2700/4000

Airflow and noise level

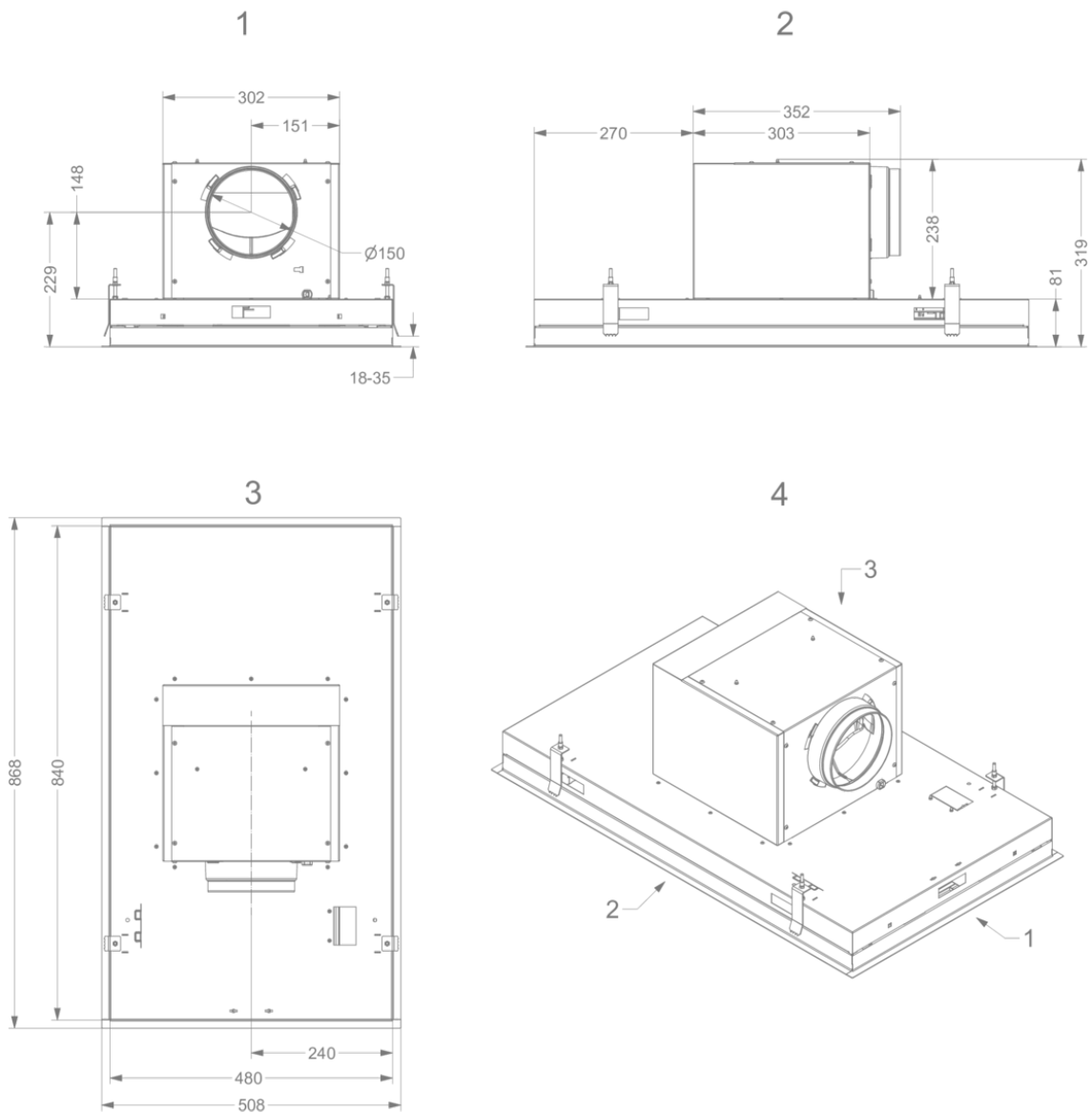
▪ Free airflow (m³/h)	815
▪ Airflow (m³/h) measured according to EN 61591	

Airflow and noise level

- Sound regulation according to EN 60704-2-13
- Airflow duct out speed 1 (m³/h) / Max pressure duct out speed 1 (Pa) 234 / 66
- Airflow duct out speed 2 (m³/h) / Max pressure duct out speed 2 (Pa) 416 / 238
- Airflow duct out speed 3 (m³/h) / Max pressure duct out speed 3 (Pa) 549 / 381
- Airflow duct out max powerspeed (m³/h) (Qboost) / Max pressure duct out max powerspeed (Pa) 634 / 379
- Sound pressure duct out speed 1 (dB(A)) / Sound power duct out speed 1 (dB(A)) 22 / 34
- Sound pressure duct out speed 2 (dB(A)) / Sound power duct out speed 2 (dB(A)) 35 / 48
- Sound pressure duct out speed 3 (dB(A)) / Sound power duct out speed 3 (dB(A)) 42 / 55
- Sound pressure duct out at max powerspeed (dB(A)) / Sound power duct out at max powerspeed (dB(A)) (LWAboost) 46 / 59

Technical specifications

- | | |
|---|---------|
| ▪ Maximum power (W) | 117 |
| ▪ Voltage cooker hood (V) | 220-230 |
| ▪ Frequency (Hz) | 50 |
| ▪ Length power supply cord (m) | 1,2 |
| ▪ Power consumption in stand-by-mode (Ps) (W) | 0.25 |
| ▪ Net weight (kg) | 21,5 |



Installation accessories

Extension cable

▪ 7000094

Extension cable 5 m

Accessories

Recirculation box



841400

recirculation box with monoblock white (270x500mm)



842400

recirculation box with monoblock black (270x500mm)



843400

recirculation box with monoblock grey (270x500mm)

Adapter for limited installation height



6830053

Adapter for limited installation height 17,3 cm

Control kit



990030

Control kit for external lighting or valve

